



Modular design that can accommodate a wide range of wattages for street and area lighting applications. EncapLED module with patent-pending heat sink and optic design achieves high efficacy and precise light distribution. Ideal for street lighting, parking lot and auto dealership applications requiring high lumen output.

### Feature Highlight

- Lumileds Luxeon TX chips
- Up to 120 lm/W efficacy at 5000K
- Patent-pending EncapLED module for superior cooling and durability
- Wide range of wattage selections from 30W to 560W at 700mA
- Light weight aluminum housing
- CETL/CUL, ROHS, IP65 rated and DLC Premium
- Five year warranty standard, ten year optional



### Optical Specification

- Color temperature from 2700K to 6000K
- CRI 70
- Type II, III and V

### Mechanical Specification

- Adaptor options for installations
- Aluminum & Stainless Steel Hardware
- Finishes: Bronze, Black, Silver, White

### Environmental Specification

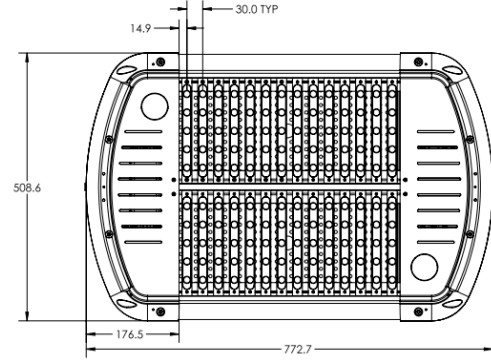
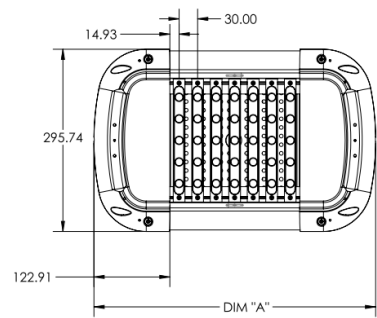
- IP65
- Operating Temperature: -40C - 55C

### Electrical Specification

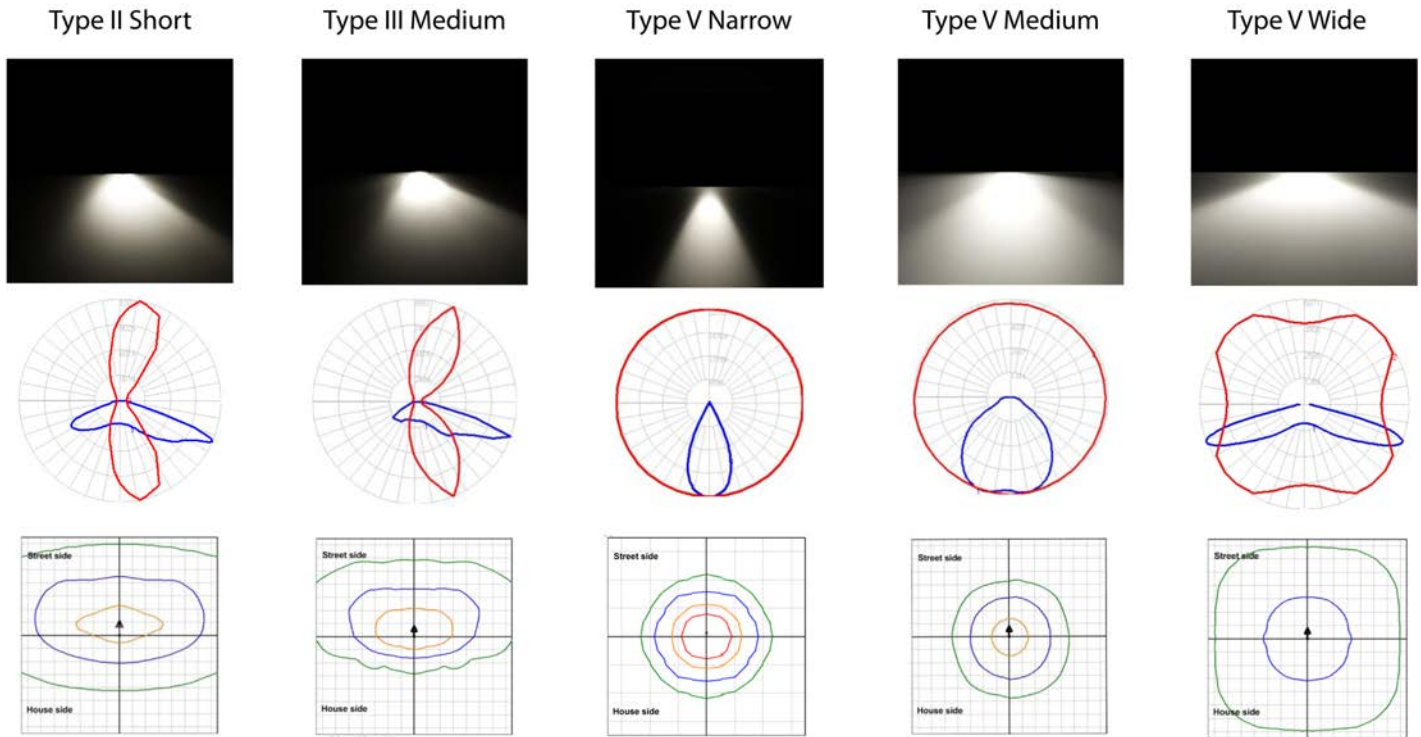
- Power input: 120-277V, 347 or 480V optional
- Power factor >90
- Additional Surge Protector Optional
- Optional for 0-100% dimming, motion sensor or MeshSmart wireless control to optimize energy savings with automatic scheduling



Item	Lumen G1	Lumen G2	Lumen G2	Replacing
Current	700mA	700mA	1000mA	
DL-S-20W	2,150			
DL-S-30W	3,225	3,435		75W MH
DL-S-40W	4,300		4,416	100W MH
DL-S-50W	5,375			150W MH
DL-S-60W	6,450	6,871		175W MH
DL-S-70W	7,525			
DL-S-80W	8,600		8,832	
DL-S-90W	9,675	10,307		
DL-S-100W	10,750			
DL-S-110W	11,825			
DL-S-120W	12,900	13,742	13,248	400W MH
DL-S-130W	13,975			
DL-S-150W	15,050			
DL-S-160W	17,200	17,178	17,667	
DL-S-180W	19,350			
DL-S-200W	21,500		22,080	
DL-S-210W		24,049		
DL-S-220W	23,650			
DL-S-240W	25,800	27,484	26,496	1000W MH
DL-S-280W	27,950		30,912	
DL-S-300W	30,100	34,255		
DL-S-320W			35,328	
DL-S-360W		41,226		
DL-S-400W			44,160	
DL-S-420W		48,097		
DL-S-560W			61,824	



## Light Distribution Pattern

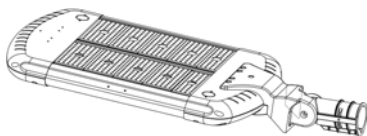


## Mounting Brackets and Adaptors

Direct Mount



Slip Fitter Mount



Round Adaptor



Square Adaptor



## Order Information

Model #	CCT	Lens Type	Finish	Accessories	Mounting	Voltage
DL-S Wattage (30W-560W)	5000K 4000K 3500K 3000K	2S 3M 5N, 5R, 5W	Bronze (BRN) Black (BLK) Silver (SLV) White (WHT)	PH: White photocell M1: With Motion Sensor (on/off) M2: With Motion Sensor (full on and 50% on) DM: Dimming (0-10V) MS: MeshSmart Wireless Control 00: No Accessories	Slipfitter (T) Direct Mount (S)	120-277V 347V 480V